



A staple for everyday use as a cinch pack or backpack.

- 210 denier oxford nylon
- Dyed-to-match drawcord closures
- Reinforced bottom grommets
- Available in a rainbow of colors
- Dimensions: 16.5”h x 14.5”w

Note: Bags not intended for use by children 12 and under.

COLOR



Athletic Gold
PMS 130 C



Black
NTR Black C



Bright Lime
PMS 7488 C



Bright Orange
PMS 165 C



Brown
PMS 7519 C



Carolina Blue
PMS 646 C



Charcoal
PMS 432 C



Hunter
PMS 5535 C



Kelly Green
PMS 340 C



Light Pink
PMS 487 C



Maroon
PMS 504 C



Navy
PMS 533 C



Purple
PMS 7672 C



Red
PMS 200 C

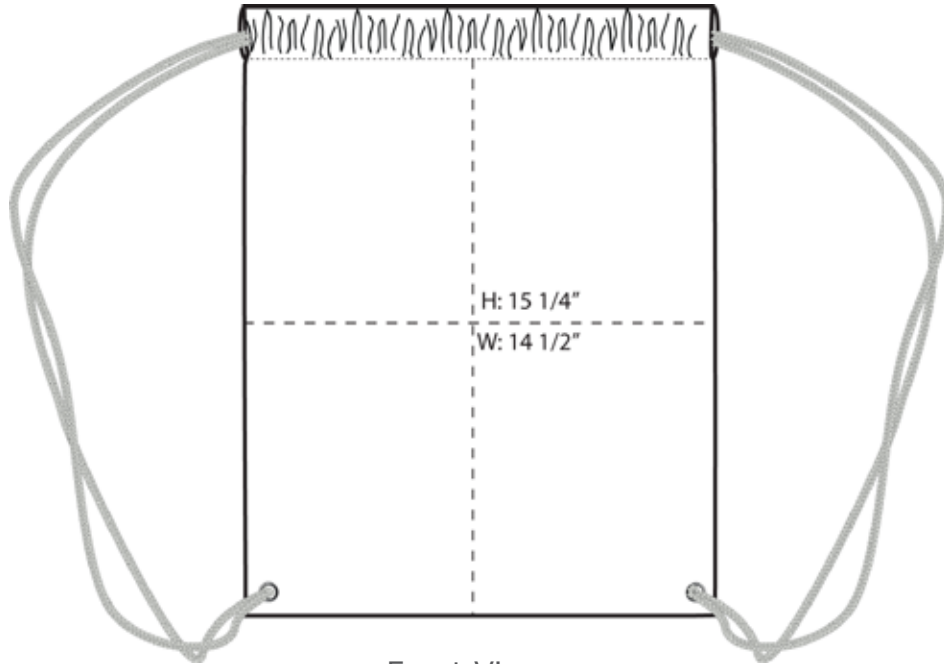


Royal
PMS 7684 C



Tropical Pink
PMS 205 C

Port & Company® Cinch Pack BG85



Front View

Note: Best graphic placement should be per the embellisher/screen printer recommendations.