



This structured, protective backpack is sleek and modern—perfect for today’s commuter or businessperson.

- 1,680 denier ballistic polyester
- Strategic top pocket with EVA-molded lid to protect phone, sunglasses or valuables
- Side-entry dedicated padded laptop zippered pocket
- Padded main compartment with zippered mesh pocket on back panel
- Zippered front compartment with padded tablet sleeve, organizer pockets and elastic accessories holders
- Zoned spacer mesh padded back
- Adjustable slide sternum strap
- Side stretch-mesh beverage pockets
- Padded spacer mesh shoulder straps with built-in grab handle
- Laptop sleeve dimensions: 9.25”h x 9.5”w; fits most 15” laptops
- Dimensions: 19”h x 11.5”w x 6.5”d; Approx. 1,420 cubic inches

Note: Bags not intended for use by children 12 and under.

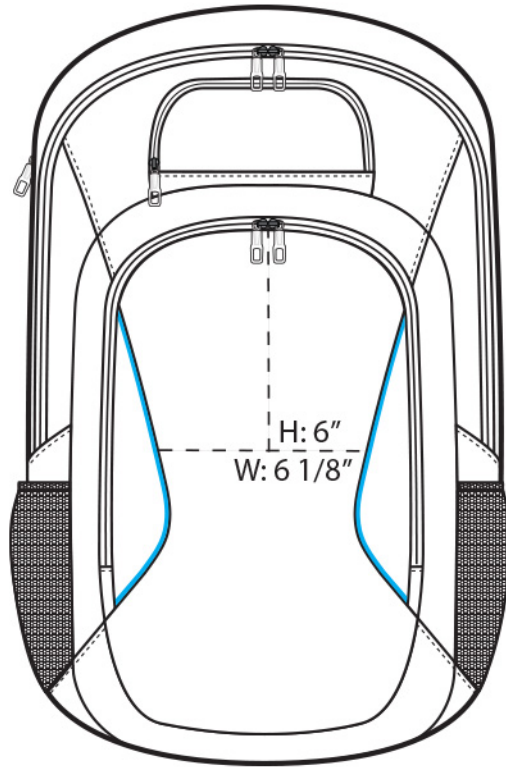
COLOR INFORMATION



Black
NTR BLACK C,



Dark Grey/
Black
PMS 426 C/
NTR BLACK C



FRONT VIEW



BACK VIEW