

Port Authority® Cotton Canvas Backpack. BG210



This vintage-inspired backpack has modern perks like a large main compartment with a dedicated laptop sleeve and plenty of storage.

- 16-ounce, 100% cotton canvas
- Zippered main compartment opens to cotton-lined area with suspended, padded laptop sleeve
- Organizer panel on laptop sleeve for pens, phone and wallet
- Angled front covered welt zipper for easy access to small items
- Padded shoulder straps with adjustable cotton webbing and faux leather trim reinforcement
- Easy-grab faux leather tab zipper pulls
- Antique-finish metal buckles and sliders
- Side water bottle pocket with elastic for expansion
- Fully padded back and bottom for comfort and protection
- Laptop sleeve dimensions: 11.75”h x 11”w x 1”d; fits most 15” laptops
- Dimensions: 18”h x 11.75”w x 4.75”d; Approx. 1,005 cubic inches

Note: Bags not intended for use by children 12 and under.

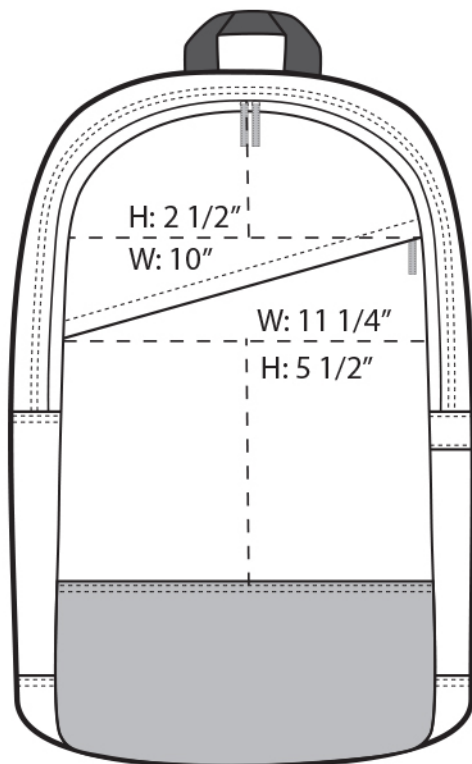
COLOR INFORMATION



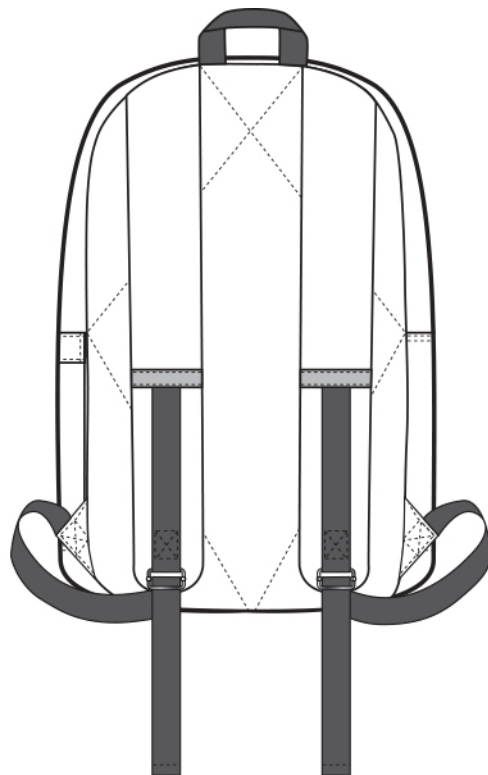
Desert Khaki
PMS 2470C



Dark Smoke
Grey
PMS COOL
GREY 10C



FRONT VIEW



BACK VIEW