



With modern touches like a laptop sleeve and office organizer, this backpack still has that retro flair, but with an updated look and functionality.

- 600 denier polyester
- Large main compartment
- Suspended, padded laptop sleeve
- Padded shoulder straps
- Front office organization
- Front zippered pocket
- Faux leather diamond patch
- Laptop sleeve dimensions: 11.25”h x 11.5”w x 1”d; fits most 15” laptops
- Dimensions: 17.75”h x 12.25”w x 5.25”d; Approx. 1,141 cubic inches

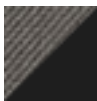
Note: Bags not intended for use by children 12 and under.

---

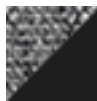
### COLOR INFORMATION



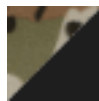
Black  
NTR BLACK C



Dark Charcoal/  
Black  
7540C/NTR  
BLACK C



Heather Grey/  
Black  
NO MATCH/  
NTR BLACK C



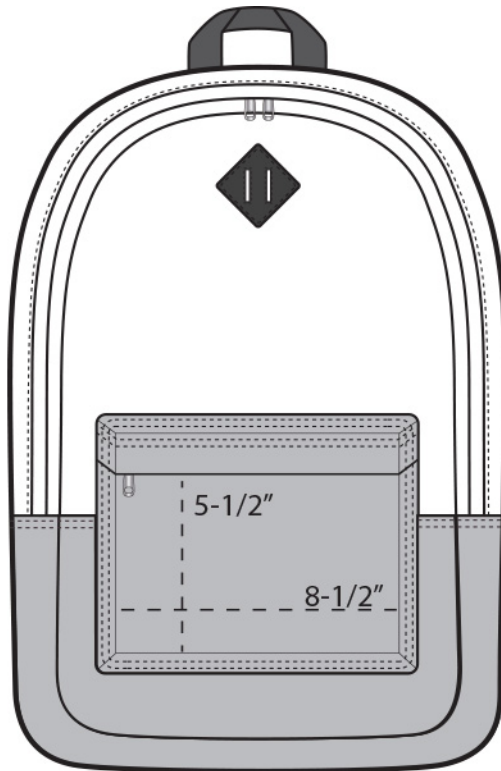
Military Camo/  
Black  
PATTERNED/  
NTR BLACK C



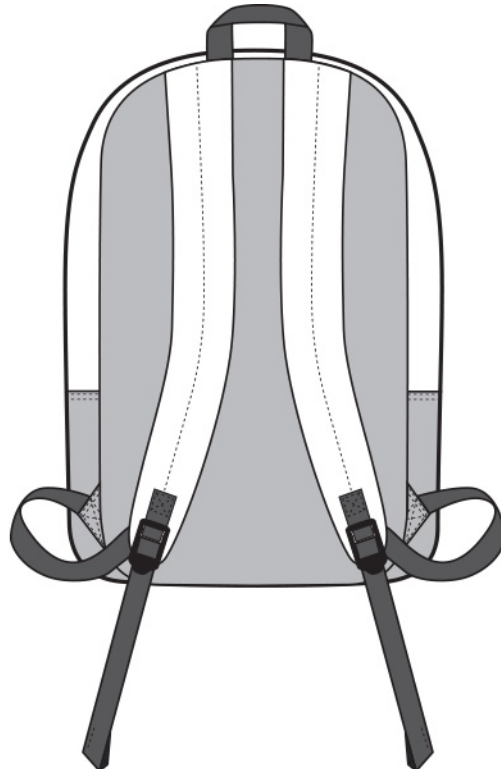
True Red/Black  
187C/NTR  
BLACK C



True Royal/  
Black  
7687C/NTR  
BLACK C



FRONT VIEW



BACK VIEW